



POWER WHEEL Direct Drive Application Sheet

Auburn Gear
400 East Auburn Drive
Auburn, IN 46706 USA
www.auburngear.com
(260)-925-3200

Company Name: _____

Telephone: _____

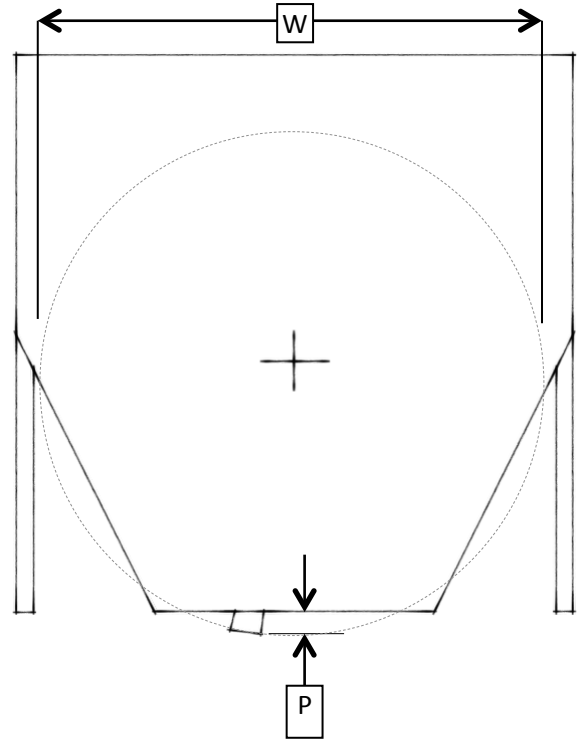
Contact: _____

Email: _____

Date: _____

Machine Data

- Vehicle Type: Excavator Skid Steer Tractor
 Cutter Type: Blades Forestry Mulching Disc
 New Machine Design Existing Machine Design
 Current Drive _____
 Cutting Width (in) [W] _____
 Cutter Capacity, Dia. of Tree (in) _____
 Total Attachment Weight (lbs) _____
 Blade Carrier Weight (lbs) _____
 Max Cutter Speed (rpm) _____
 Stump Grinding Teeth: Yes No
 Capable of Plunge Cutting: Yes No
 Plunge Cutting Depth (in) [P] _____
 Output Type: Flanged Keyed Splined



Hydraulic Data

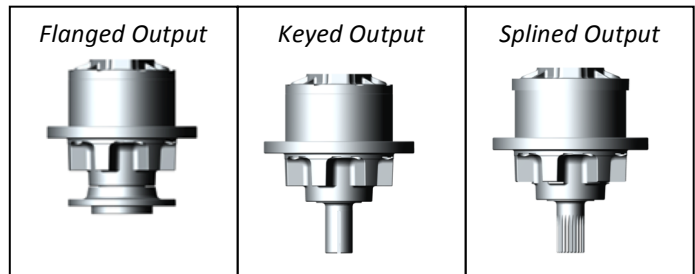
- Open Loop Closed Loop
 System Pressure (psi) _____ Max _____ Cont.
 Charge Pressure, Closed Loop Only (psi) _____
 Flow Available (gpm) _____ Max _____ Cont.
 Hydraulic Motor No. & MFG _____
 Motor Displacement (in³/rev) _____ Max _____ Min
 Motor Mount (SAE A 2-Bolt, SAE C 4-Bolt, etc.) _____
 Motor Shaft (13T-16/32, 14T-12/24, etc.) _____

Features

- Paint
 Metal Seal Guard
 Heavy Duty Seal
 Weldable Hub/Coupling
 Hyd Motor Included

Miscellaneous

EAU _____
Price Range _____



Notes:

Notes: _____