

Company Name: _____
 Contact: _____
 Date: _____

Telephone: _____
 Email: _____

Machine Data

Vehicle Type _____
 New Machine Design Existing Machine Design
 Current Drive _____
 Engine Power Available to Drives _____ HP
 Pinion Face Width (in) [F] _____
 Pinion End to Mounting Face (in) [L] _____
 Overall Height Restriction (in) [H₁ or 2] _____
 Output Shaft Type: Integral Pinion Keyed Splined
 Shaft Orientation: Down Up

Pinion/Slew Gear Data (if applicable)

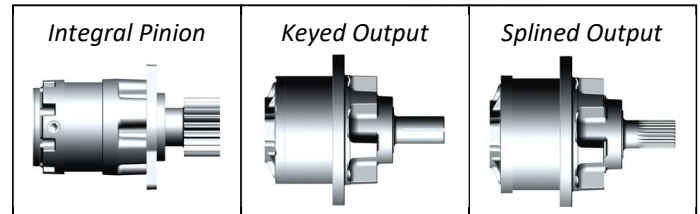
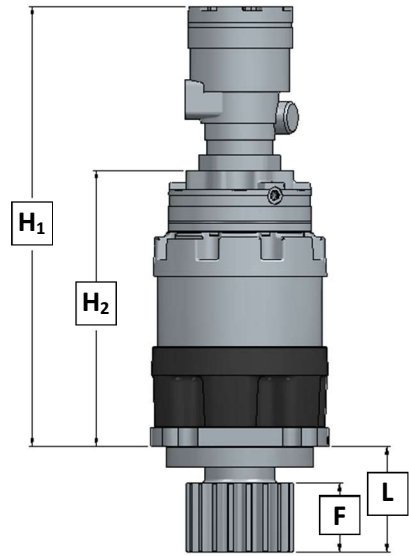
No. of Pinion Teeth _____
 Pinion Pitch Dia. (in) _____
 Pressure Angle _____
 Diametral Pitch _____
 No. of Slew Gear Teeth _____

Hydraulic Data

Open Loop Closed Loop
 System Pressure (psi) _____ Max _____ Continuous
 Charge Pressure, Closed Loop Only (psi) _____
 Flow Avail. Per Drive (gpm) _____
 Hydraulic Motor No. & MFG _____
 Motor Displacement (in³/rev) _____ Max _____ Min
 Motor Mount (SAE A 2-Bolt, SAE C 4-Bolt, etc.) _____
 Motor Shaft (13T-16/32, 14T-12/24, etc.) _____

Performance Requirements

Max Output Torque Required per Drive (in-lbs) _____
 Max Output Speed Required per Drive (rpm) _____
 Annual Gearbox Usage (hrs) _____
 Desired Gearbox Life (hrs or yrs) _____



Features

- Paint
- Heavy Duty Seal
- Reduced Backlash
- Eccentric Mounting Flange
- Park Brake
- Hydraulic Motor Included
- Counter Balance Valve Included

Brakes

Park Brake Torque Req. (in-lbs) _____
 Park Brake Release Pressure (psi) _____

Miscellaneous

EAU _____
 Price Range _____



Condition	Output Torque (in-lbs)	Output Speed (rpm)	Radial Load (lbs)	% Time
1				
2				
3				
4				

Notes: