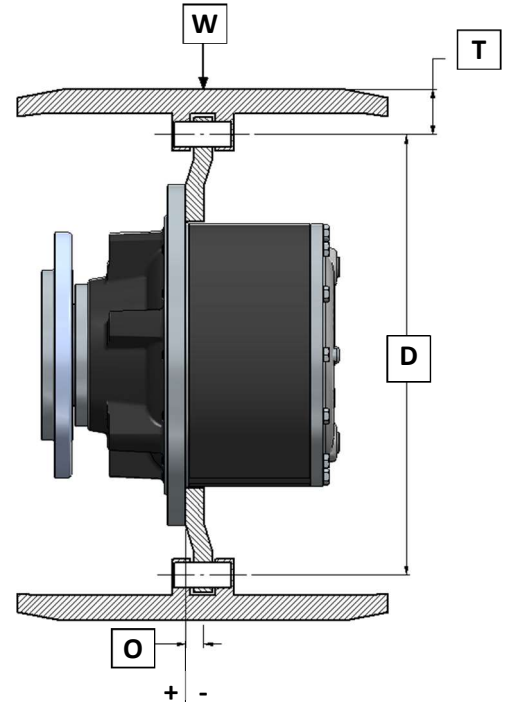


Company Name: _____
 Contact: _____
 Date: _____

Telephone: _____
 Email: _____

Machine Data

Vehicle Type _____
 New Machine Design Existing Machine Design
 Current Drive _____
 Engine Power Available to Drives _____ HP
 Gross Vehicle Weight (lbs) _____ Loaded _____ Empty
 % Gradeability Required _____ Max _____ Normal
 Vehicle Speed (mph) _____ Max _____ Working
 No. of Tracks _____
 Sprocket Pitch Dia. (in) [D] _____
 Track Thickness (in) [T] _____
 Rubber Track Steel Track
 Track Tension (lbs) _____
 Max Radial Load on One Track (lbs) [W] _____
 Added Draw Bar Pull, ie. trailer, blade, etc. (lbs) _____
 Sprocket Offset (in) [O] _____



Hydraulic Data

Open Loop Closed Loop
 System Pressure (psi) _____ Max _____ Continuous
 Charge Pressure, Closed Loop Only (psi) _____
 Flow Avail. Per Drive (gpm) _____
 Hydraulic Motor No. & MFG _____
 Motor Displacement (in³/rev) _____ Max _____ Min
 Motor Mount (SAE A 2-Bolt, Cartridge, etc.) _____
 Motor Shaft (13T – 16/32, W30, etc.) _____

Features

- Disengage
- Wheel Studs
- Paint
- Boot Seal
- Park Brake
- Heavy Duty Seal

Brakes

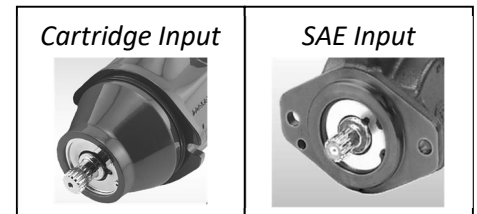
- Park Brake Torque Req. (in-lbs) _____
- Park Brake Release Pressure (psi) _____
- Dynamic Brake
 - Caliper
 - Drum
 - Integral

Miscellaneous

EAU _____
 Price Range _____

Performance Requirements

Max Output Torque Required per Drive (in-lbs) _____
 Annual Gearbox Usage (hrs) _____
 Desired Gearbox Life (hrs or yrs) _____



Condition	Output Torque (in-lbs)	Output Speed (rpm)	Radial Load (lbs)	% Time
1				
2				
3				
4				

Notes: