

Company Name: \_\_\_\_\_  
 Contact: \_\_\_\_\_  
 Date: \_\_\_\_\_

Telephone: \_\_\_\_\_  
 Email: \_\_\_\_\_

**Machine Data**

Vehicle Type \_\_\_\_\_  
 New Machine Design       Existing Machine Design  
 Current Drive \_\_\_\_\_  
 Engine Power Available to Drives \_\_\_\_\_ HP  
 Pinion Face Width (in) [F] \_\_\_\_\_  
 Pinion End to Mounting Face (in) [L] \_\_\_\_\_  
 Overall Height Restriction (in) [H<sub>1</sub> or 2] \_\_\_\_\_  
 Output Shaft Type:    Integral Pinion     Keyed       Splined  
 Shaft Orientation:    Down             Up

**Pinion/Slew Gear Data (if applicable)**

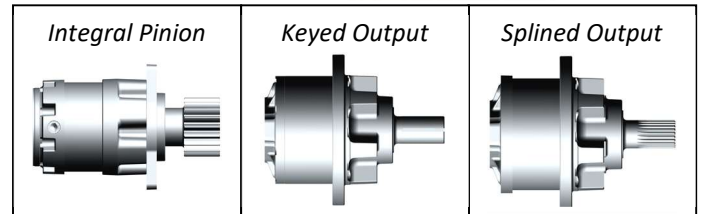
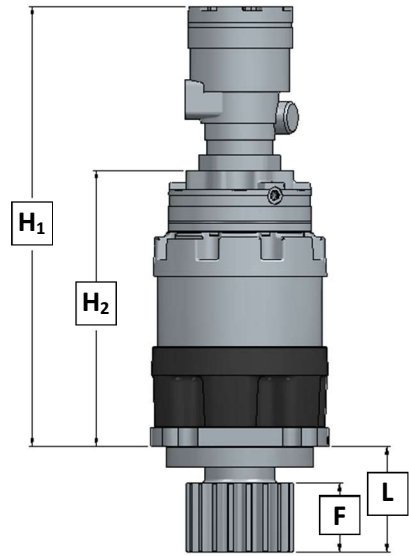
No. of Pinion Teeth \_\_\_\_\_  
 Pinion Pitch Dia. (in) \_\_\_\_\_  
 Pressure Angle \_\_\_\_\_  
 Diametral Pitch \_\_\_\_\_  
 No. of Slew Gear Teeth \_\_\_\_\_

**Hydraulic Data**

Open Loop                       Closed Loop  
 System Pressure (psi) \_\_\_\_\_ Max \_\_\_\_\_ Continuous  
 Charge Pressure, Closed Loop Only (psi) \_\_\_\_\_  
 Flow Avail. Per Drive (gpm) \_\_\_\_\_  
 Hydraulic Motor No. & MFG \_\_\_\_\_  
 Motor Displacement (in<sup>3</sup>/rev) \_\_\_\_\_ Max \_\_\_\_\_ Min  
 Motor Mount (SAE A 2-Bolt, SAE C 4-Bolt, etc.) \_\_\_\_\_  
 Motor Shaft (13T-16/32, 14T-12/24, etc.) \_\_\_\_\_

**Performance Requirements**

Max Output Torque Required per Drive (in-lbs) \_\_\_\_\_  
 Max Output Speed Required per Drive (rpm) \_\_\_\_\_  
 Annual Gearbox Usage (hrs) \_\_\_\_\_  
 Desired Gearbox Life (hrs or yrs) \_\_\_\_\_



**Features**

- Paint
- Heavy Duty Seal
- Reduced Backlash
- Eccentric Mounting Flange
- Park Brake
- Hydraulic Motor Included
- Counter Balance Valve Included

**Brakes**

Park Brake Torque Req. (in-lbs) \_\_\_\_\_  
 Park Brake Release Pressure (psi) \_\_\_\_\_

**Miscellaneous**

EAU \_\_\_\_\_  
 Price Range \_\_\_\_\_



Condition	Output Torque (in-lbs)	Output Speed (rpm)	Radial Load (lbs)	% Time
1				
2				
3				
4				

**Notes:**