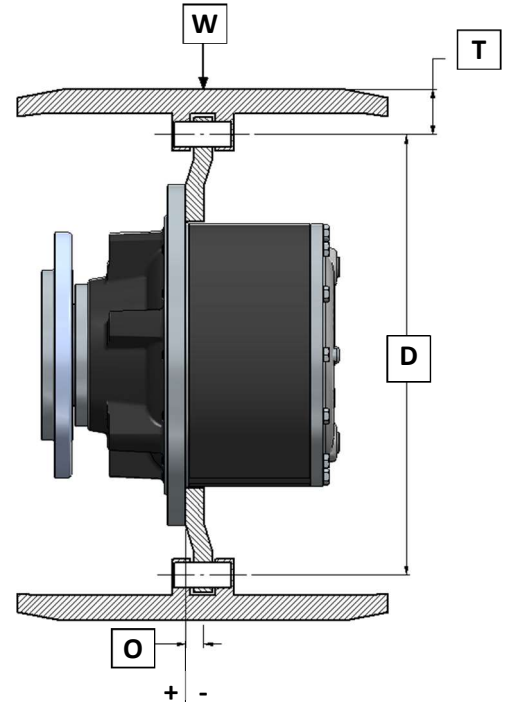


**Company Name:** \_\_\_\_\_  
**Contact:** \_\_\_\_\_  
**Date:** \_\_\_\_\_

**Telephone:** \_\_\_\_\_  
**Email:** \_\_\_\_\_

**Machine Data**

Vehicle Type \_\_\_\_\_  
 New Machine Design       Existing Machine Design  
 Current Drive \_\_\_\_\_  
 Engine Power Available to Drives \_\_\_\_\_ HP  
 Gross Vehicle Weight (lbs) \_\_\_\_\_ Loaded \_\_\_\_\_ Empty  
 % Gradeability Required \_\_\_\_\_ Max \_\_\_\_\_ Normal  
 Vehicle Speed (mph) \_\_\_\_\_ Max \_\_\_\_\_ Working  
 No. of Tracks \_\_\_\_\_  
 Sprocket Pitch Dia. (in) [D] \_\_\_\_\_  
 Track Thickness (in) [T] \_\_\_\_\_  
 Rubber Track       Steel Track  
 Track Tension (lbs) \_\_\_\_\_  
 Max Radial Load on One Track (lbs) [W] \_\_\_\_\_  
 Added Draw Bar Pull, ie. trailer, blade, etc. (lbs) \_\_\_\_\_  
 Sprocket Offset (in) [O] \_\_\_\_\_



**Hydraulic Data**

Open Loop       Closed Loop  
 System Pressure (psi) \_\_\_\_\_ Max \_\_\_\_\_ Continuous  
 Charge Pressure, Closed Loop Only (psi) \_\_\_\_\_  
 Flow Avail. Per Drive (gpm) \_\_\_\_\_  
 Hydraulic Motor No. & MFG \_\_\_\_\_  
 Motor Displacement (in<sup>3</sup>/rev) \_\_\_\_\_ Max \_\_\_\_\_ Min  
 Motor Mount (SAE A 2-Bolt, Cartridge, etc.) \_\_\_\_\_  
 Motor Shaft (13T – 16/32, W30, etc.) \_\_\_\_\_

**Features**

- Disengage
- Wheel Studs
- Paint
- Boot Seal
- Park Brake
- Heavy Duty Seal

**Brakes**

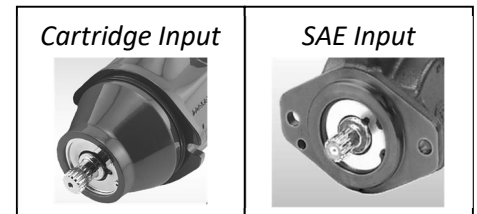
- Park Brake Torque Req. (in-lbs) \_\_\_\_\_
- Park Brake Release Pressure (psi) \_\_\_\_\_
- Dynamic Brake
  - Caliper
  - Drum
  - Integral

**Miscellaneous**

EAU \_\_\_\_\_  
 Price Range \_\_\_\_\_

**Performance Requirements**

Max Output Torque Required per Drive (in-lbs) \_\_\_\_\_  
 Annual Gearbox Usage (hrs) \_\_\_\_\_  
 Desired Gearbox Life (hrs or yrs) \_\_\_\_\_



Condition	Output Torque (in-lbs)	Output Speed (rpm)	Radial Load (lbs)	% Time
1				
2				
3				
4				

**Notes:**